

## Coaching planner for

Session Date/number:

Session objectives:

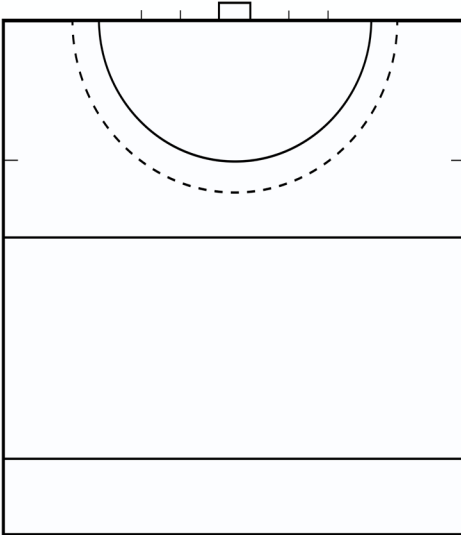
Squad numbers:

Goalkeepers:

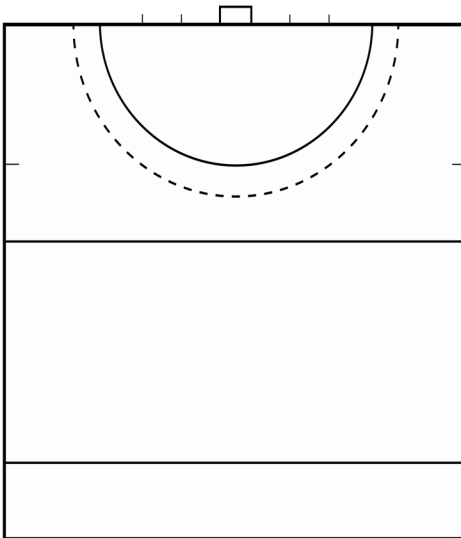
Defenders:

Midfielders:

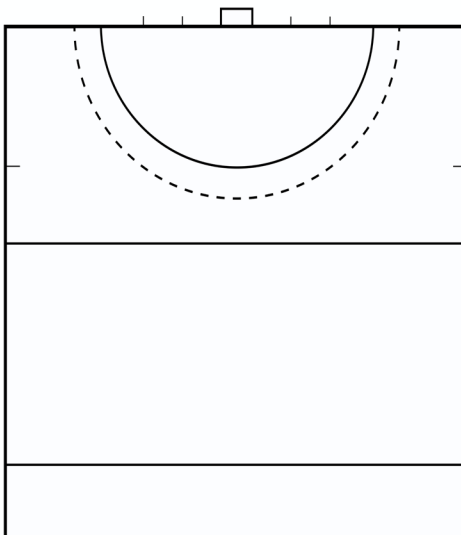
Forwards:



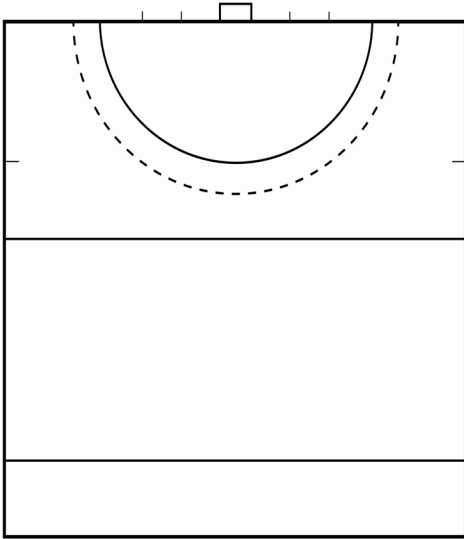
Practice design



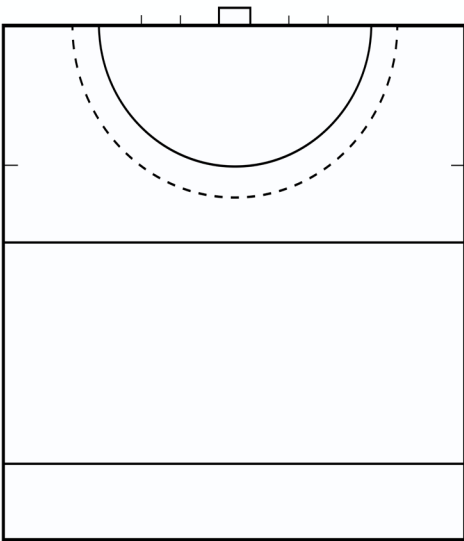
Practice design



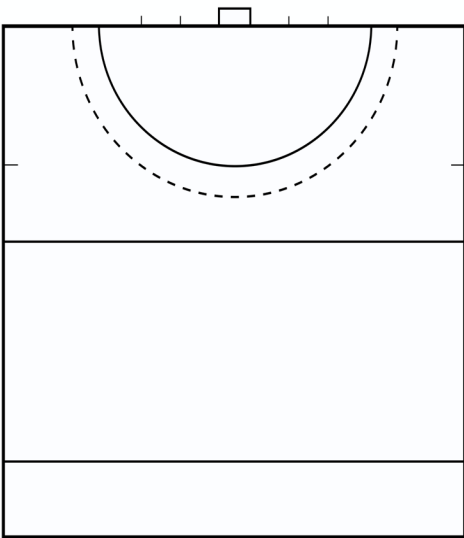
Practice design



Practice design



Practice design



Practice design

Evaluation/Review